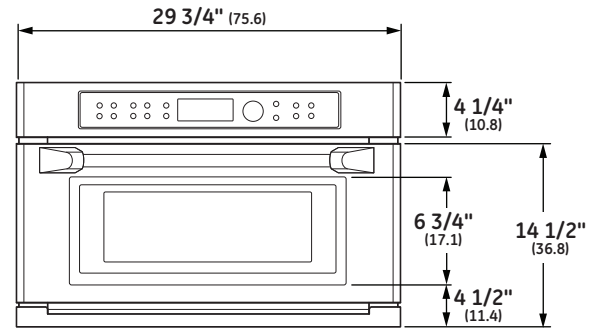




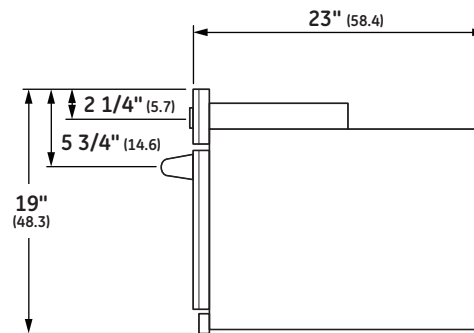
OVERALL DIMENSIONS



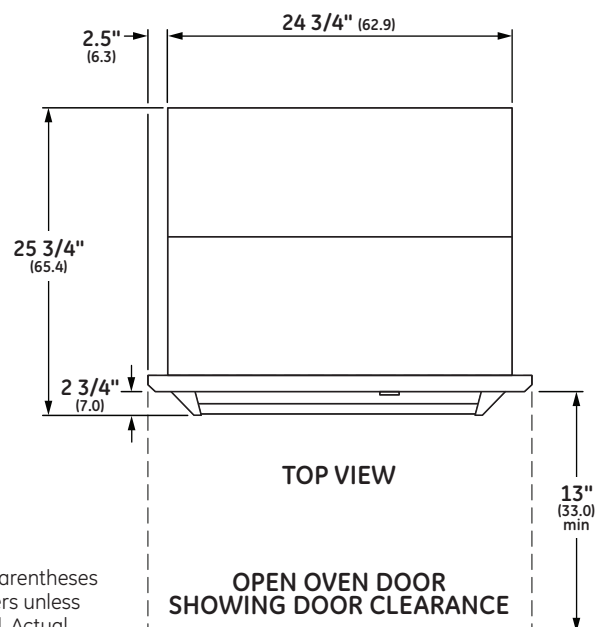
FRONT VIEW (SHOWING CUTOUT OVERLAP)

SPECIFICATIONS

Overall Width	29 3/4" (75.6 cm)
Overall Height	19" (48.3 cm)
Overall Depth	21 1/2" (54.6 cm)
Oven Door Clearance	19" (48.3 cm) Min
Overall Oven Interior Capacity	1.6 cu. ft. (.05 cu. cm)
Oven Interior Dimensions (W x H x D)	20 1/16" x 8 1/2" x 17" (51 cm x 21.6 cm x 43.2 cm)
Minimum Cabinet Width	30" (76.2 cm)
Minimum Cabinet Depth	21 1/2" (54.6 cm)
Minimum Base Support	130 lbs (59 kg)
Cutout Width	25 1/4" (64.1 cm) Min
Cutout Height	17 1/2" (44.5 cm) Min
Cutout Depth	21 1/2" (54.6 cm) Min
Voltz/Hertz/Amps	120 VAC, 60 Hz, 15A
Conduit Length	48" (121.9 cm)
Electrical Rating	1.8 kW at 120V
Total Amps	6.3 kW at 240V
Shipping Weight	87 lbs (39.5 kg)



SIDE VIEW



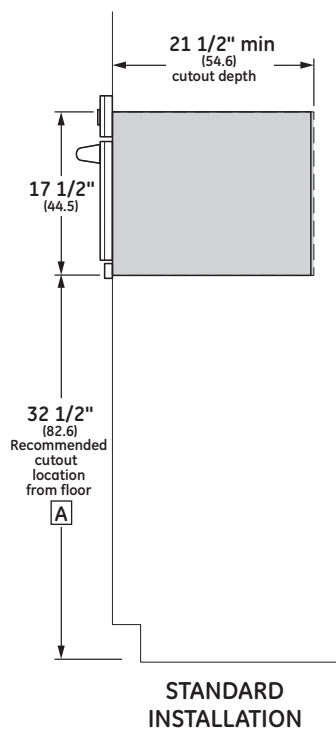
TOP VIEW  
OPEN OVEN DOOR  
SHOWING DOOR CLEARANCE

Dimensions in parentheses are in centimeters unless otherwise noted. Actual product dimensions may vary due to manufacturing tolerances.

ATTENTION ELECTRICIAN:

A 120V, 60Hz, 15 Amp circuit is required. An individual properly grounded branch circuit or circuit breaker is required. Hardware junction box is required for built-in product.

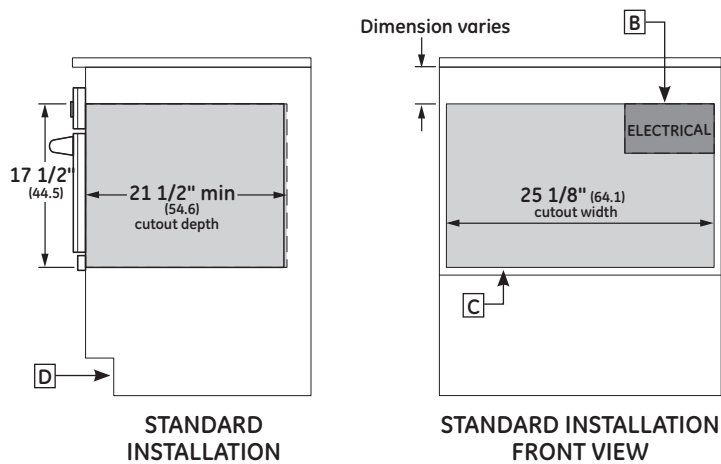
WALL INSTALLATION



NOTES

- A Based on a user height of 5' 6" to 5' 10"
- B Junction box location (May also be located in adjacent cabinet.)
- C Platform must be able to support 130 lbs (90 kg)
- D Maximum toe kick height of 4" when installed beneath a certified cooktop.

UNDERCOUNTER INSTALLATION



For more details, refer to the installation instructions for this product on Monogram.com. Dimensions in parentheses are in centimeters unless otherwise noted.

## FEATURES AND BENEFITS

**Remarkable versatility** - Multiple cooking options create four ovens in one--Speedcook, True European convection, sensor microwave and warming ovens -- to bake, broil, brown, roast and warm and proof food

**Speedcook technology** - Halogen light system combines with microwaves and speedcooks your favorite foods to delicious perfection in minutes, with no preheating

**Powerful performance** - Oven-quality foods cook up to four times faster than a conventional oven, with no preheating required

**Spacious interior** - Large 1.7-cu.-ft rounded oven cavity with 16" turntable allows full and continual rotation of a 9" x 13" casserole dish; removable oven rack offers the convenience of multi-level cooking

**Installation flexibility** - Ovens can be installed in 30" wall cabinet and can also be installed undercounter

**Professional styling** - Professional models exude power with a premium-grade stainless steel exterior, chamfered edges and a die-cast control knob

